

brano industries (pty) ltd.

P O Box 277, Bramley, 2018, Rep. of South Africa.
tel (011) 887-0625 fax (011) 887-7616
Share-call :- 08600 - BRANO 08600 - 27266
e-mail :- sales@brano.co.za
Website :- www.brano.co.za



"pro-rola 1"

Adaptor Kit for Steel Roll-Up Doors

INSTALLER'S MANUAL

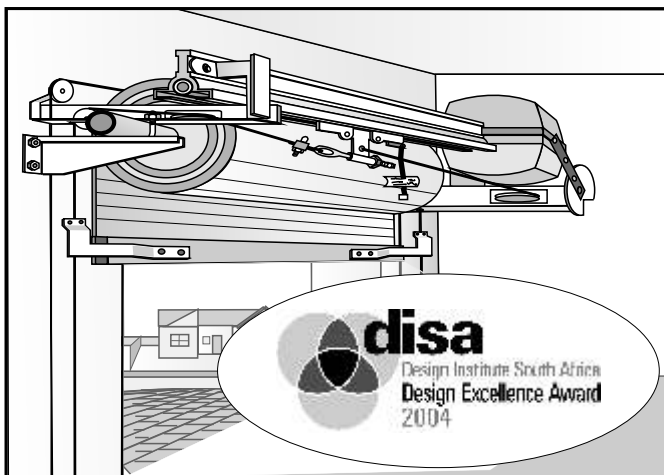
Installation Instructions

for

Automation of Steel Roll-Up Doors

"CABLE AND PULLEY" SYSTEM

Manual Coce :- MAN - 04 Version 3 (2003)



Patent Number 96 / 10092 ; Priority No. ZA 95 / 10422

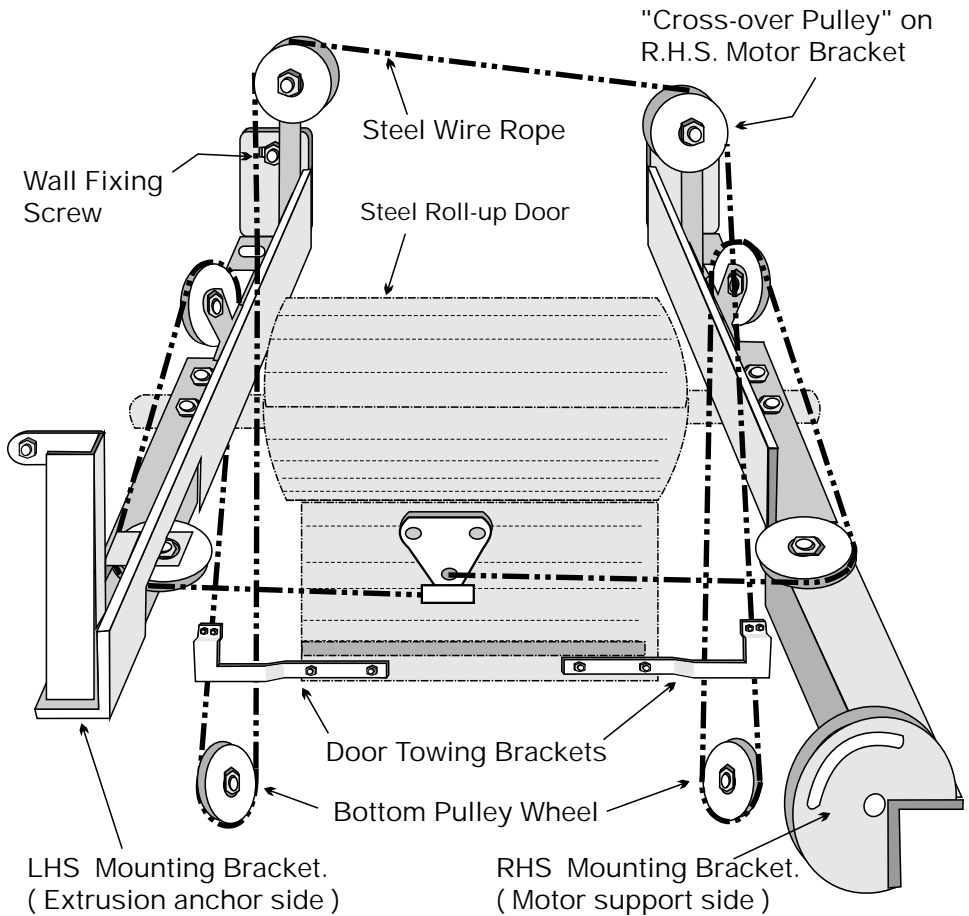
When in doubt

..... Read the manual !!!!

COPYRIGHT © "pro-rola 1" version 3 (1995 / 1999 / Sept 2003)

file:- Coreldraw10\Manuals\Prorola1Vers3.cdr

"pro-rola 1" Installation Instructions

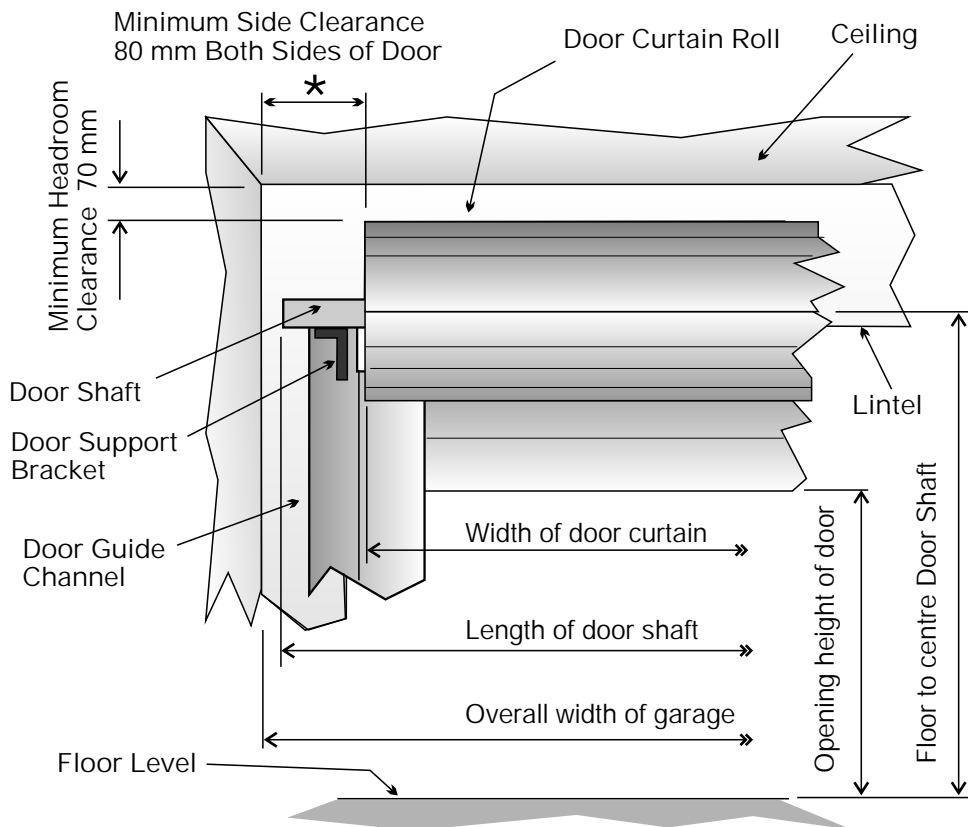


Oblique angle view from inside the garage showing the relative positions of the mounting brackets

Notes:-

- 1) For reasons of clarity, the door operator is not shown in position, and ...
- 2) the routing of the wire rope has been overlaid and emphasised in order to show it's position relative to the door.
- 3) The door towing arms are attached to the forward ropes at both sides of the door.
- 4) The bottom pulley wheels are fixed to the floor and wall at both sides of the door.

Minimum Space Requirements

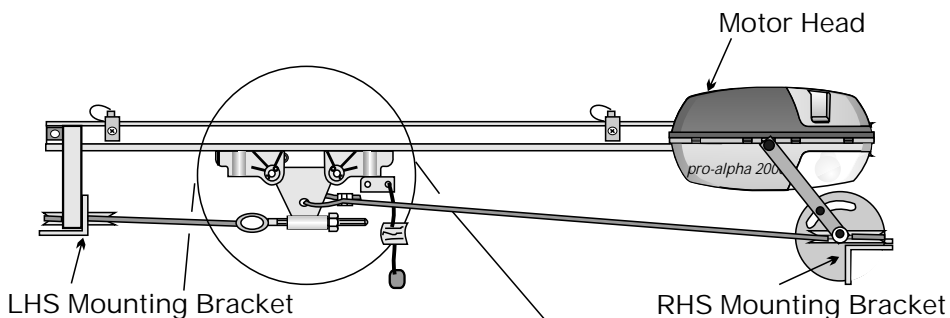
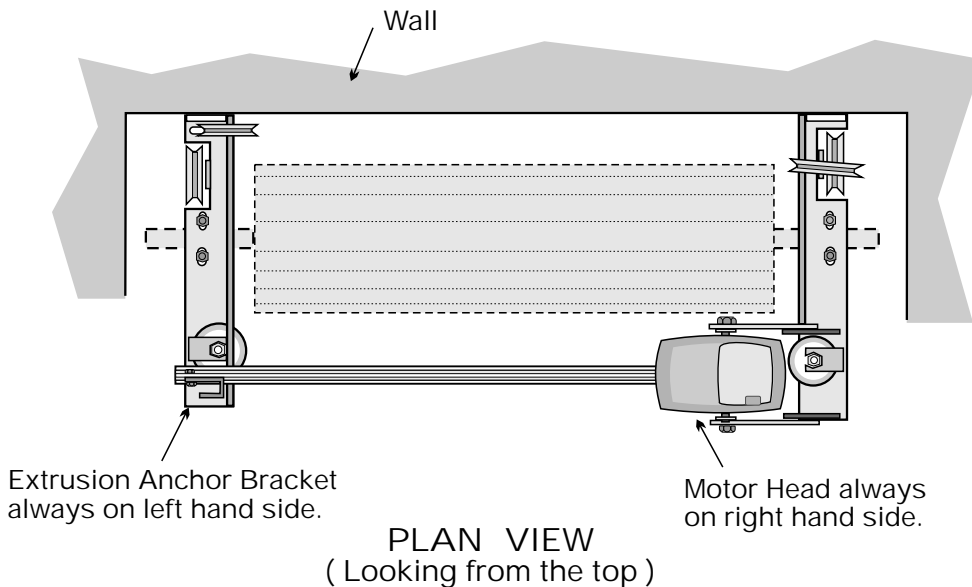


NOTES:-

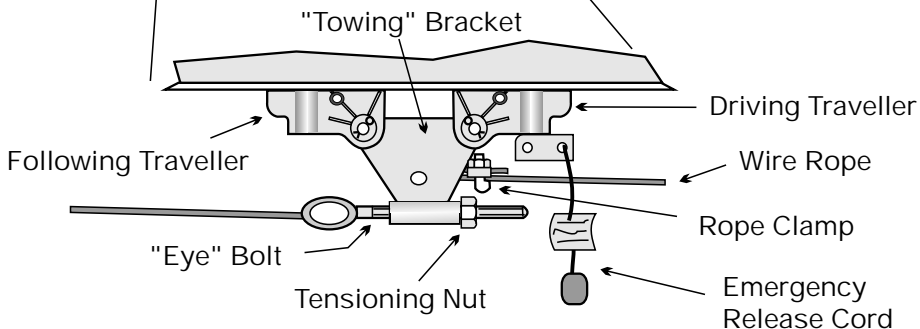
- 1) The standard "pro-rola 1" Adaptor Kit is designed to suit a door up to 2500 mm wide x 2135 mm high.
- 2) For non-standard size doors, special "pro-rola 1", "pro-rola 2" and "pro-rola 3" Adaptor Kits are available on request.
- 3) The maximum clear open height possible for the door is dependent on the overall width of the garage available for mounting the "pro-rola 1" door operator / adaptor system and the length of the door shaft.
- 4) ORDERING INFORMATION:-

For non-standard size doors, always state the following:-

Overall width of garage	=	mm.
Overall length of door shaft	=	mm.
Overall width of door curtain	=	mm.
Opening height required.	=	mm
Floor to centre of the Door Shaft.	=	mm

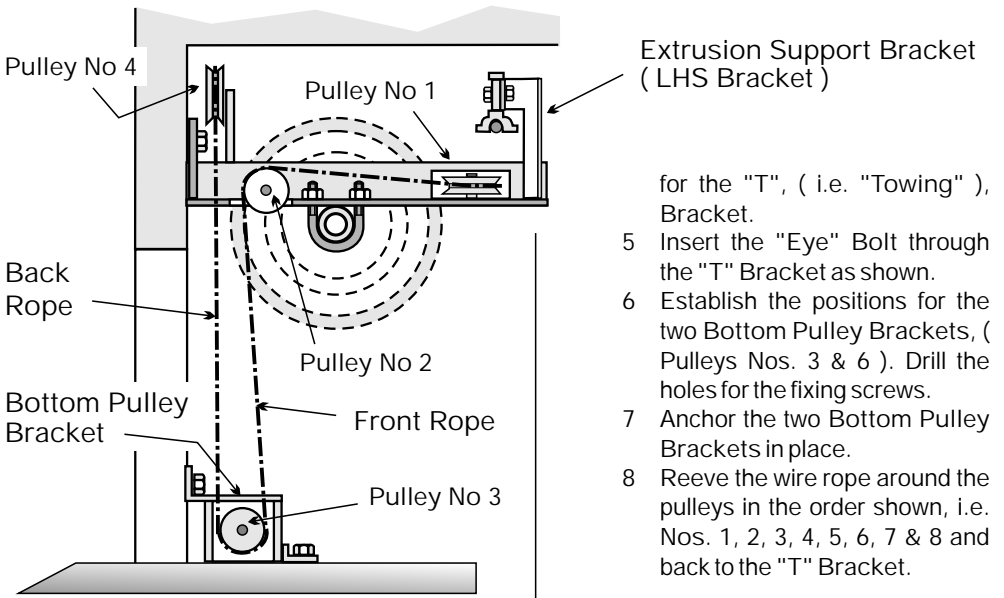
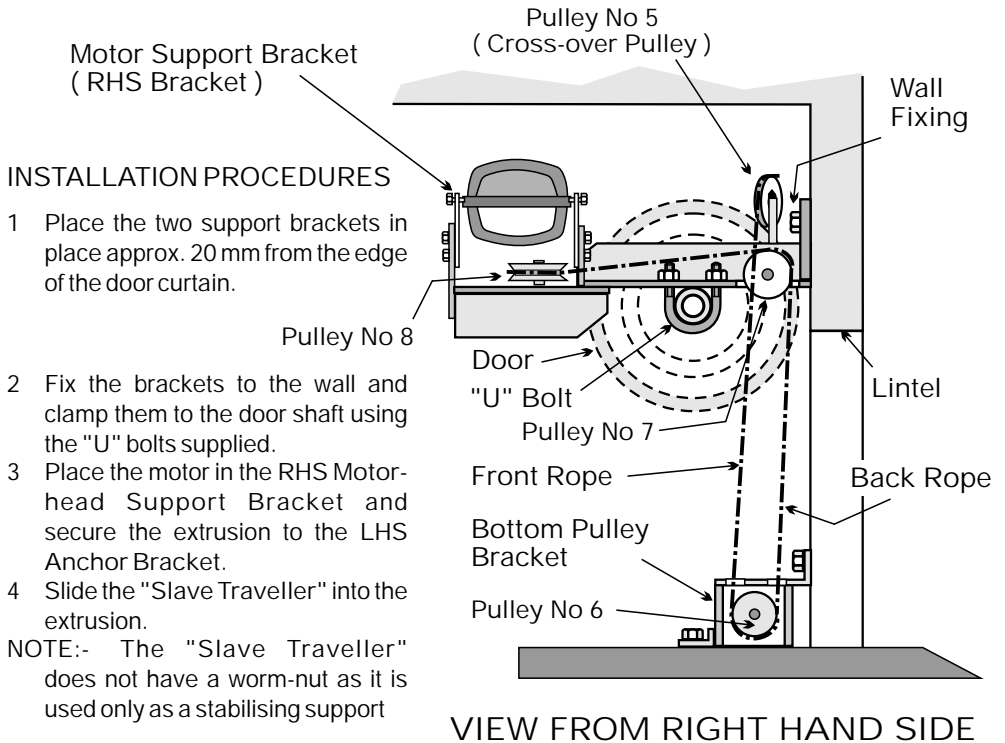


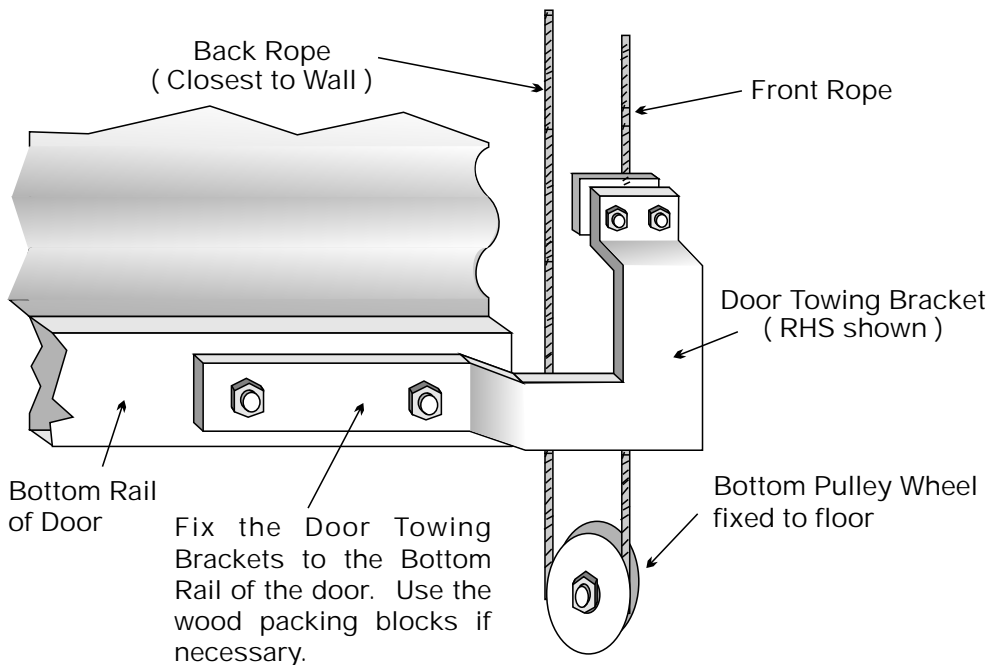
SIDE VIEW of MOTOR MOUNTING



ENLARGED DETAIL

DO NOT OVER-TENSION THE WIRE ROPE





- 9 Pull the wire rope gently by hand until the slack is taken up. Secure the rope in place using the "Rope Clamp" supplied.
- 10 Make the final tension adjustments using the "Tensioning Nut" on the "Eye Bolt". Tighten the nut until the rope has a tension of approx. 10 kgs.

BE CAREFUL NOT TO OVERTENSION THE WIRE ROPE.

- 11 Attach the two "Door Towing Arm Brackets" to the bottom rail of the door. If the door does not have a sturdy bottom rail, use the plastic (or timber) packing blocks supplied to space the Towing Arms away from the door channels.
- 12 Disengage the "Driving Traveller" from the worm-shaft by pulling the "Emergency Release Cord" which is attached to the "Traveller Lever"
- 13 Move the two travellers and "T" bracket assembly to the "door closed" position, i.e. to the LHS.

Now Set the "down" travel limit switch in place.

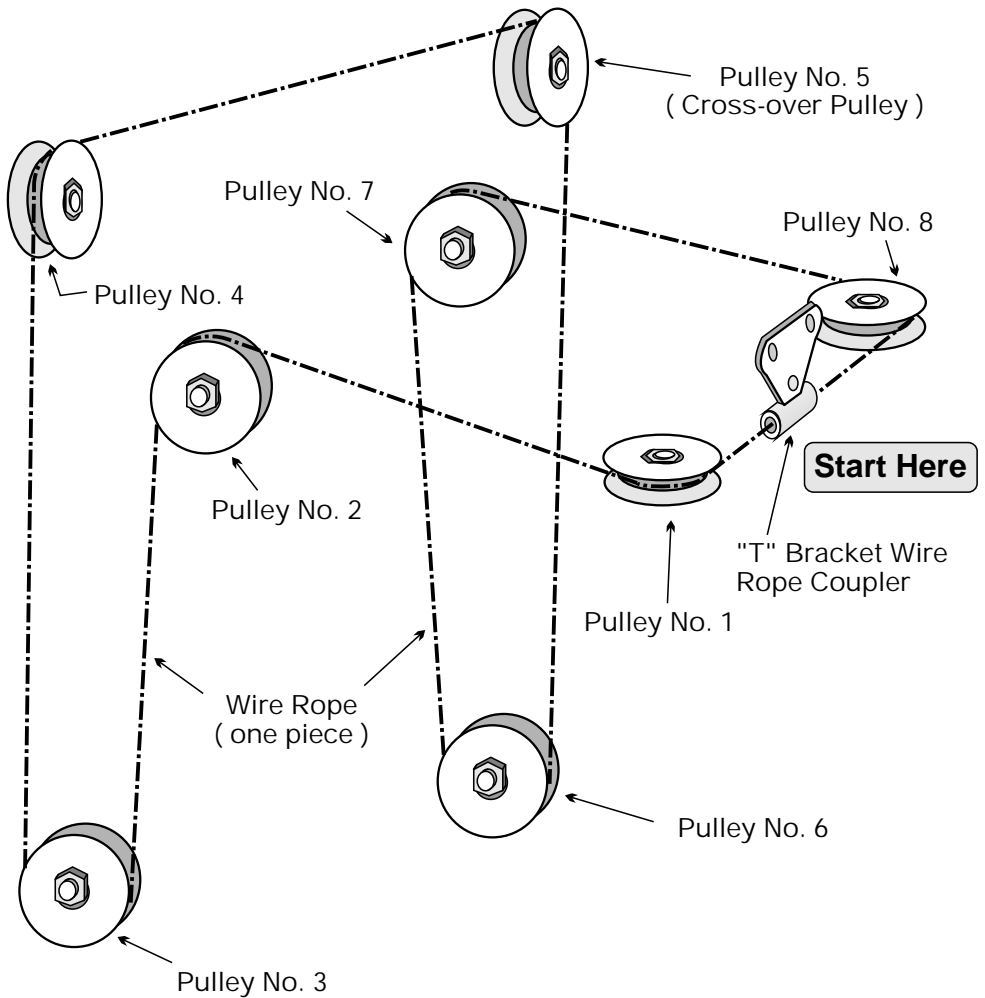
- 14 Close the door.
- 15 Clamp the "Door Towing Arms" to the "forward" ropes as shown.
- 16 Raise the door to the "full open" position. Set the "up" travel limit switch in place.
- 17 Test the operation of the door. Be sure to check the "safety reverse" feature of the operator.

If the door is obstructed during it's working cycle, the door operator must respond as follows :-


whilst closing (Place a 40 mm thick plank or piece of square tubing under the centre of the door.) The door must stop and reverse direction within 2 sec after making contact with the obstruction.

whilst opening the door must stop! It should remain stationary until a new command is transmitted to the operator.

REEVING LAY-OUT of WIRE ROPE



Brano Industries (Pty) Ltd.
P.O. Box 277 Bramley, R.S.A., 2018

 (27)(011) 887-0625
(27)(011) 887-7616

Patent Number 96 / 10092
Priority No. ZA 95 / 10422

Copyright March 1996 ©



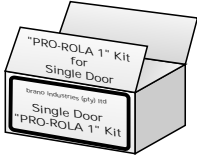
brano industries (pty) ltd.

Copyright © 1995 / 1998 / 2003

Head Office :- Johannesburg

Branches :- Cape Town, Pretoria, Durban, Westrand, Bloemfontein

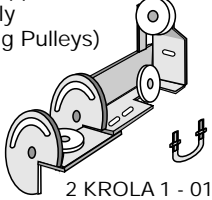
"pro-rola 1" ADAPTOR KIT
for
Standard Single Size Steel Roll-Up Door
2440 Wide x 2135 mm High



Stock Code:- 1 KROLA 1 - 01

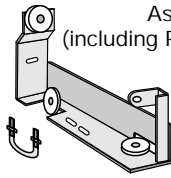
"Pro-Rola 1" Adaptor Kit complete.
(Door Operator not included)

Motor Support Bracket
Assembly
(including Pulleys)



2 KROLA 1 - 01

Extrusion Anchor Bracket
Assembly
(including Pulleys)



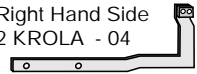
2 KROLA 1 - 02

Door Towing Arms

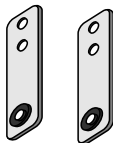
Left Hand Side
2 KROLA - 03



Right Hand Side
2 KROLA - 04

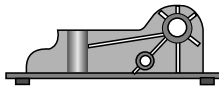


Hanger Bracket



2 BRAH-3

Slave Traveller
(without Nut)



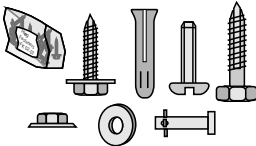
2 TRAV - 02

Wire Rope 2 mm
(Specify size of door)



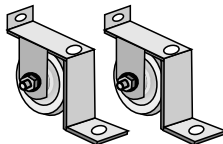
2 KROLA 1 - 03

Fasteners Kit



4 FKPR 1

Bottom Pulley
Bracket Assembly



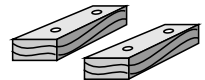
2 KROLA - 02

Traveller Towing
Bracket



2 KROLA 1 - 05

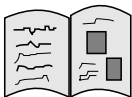
Packing Blocks



Timber or Plastic

TIMB 1 - 02

"Pro-Rola 1" Installation
Instruction Manual



MANUAL - 04

This "pro-rola 1" system was installed by:-

Company Date

Installer Tel

Comments